

**For Residential and Commercial Applications**

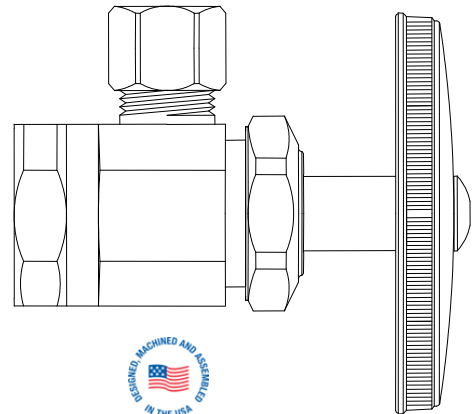
Job Name		Engineer / Architect	
Job Location		Wholesaler	
Submittal Date		Contractor	

## R3700/ R3701/ R3702/ R3703 Multi-Turn Dual Outlet Stop – Female Iron Pipe Inlet

**Use:** For use in potable water distribution systems. Not intended for recirculating water systems that produce continuous use temperatures above 115° F. For those applications, use BrassCraft KT series ball stops

**Design Features:**

- **Machined one-piece brass body** provides strength, durability and long-lasting performance
- **Knurled oval handle** provides a secure grip and smooth on/off operation
- **Easy-to-remove handle** with screw attachment protects accidental stop operation during rough-ins
- **Compliant Dual-Outlet Stops** available for California and Vermont “low-lead” requirements



**Operating Specifications:**

**Temperature:** 40° - 140° F  
**Pressure:** 125 psi maximum

**Standard**

MATERIAL SPECIFICATIONS	
<b>Valve Body</b>	C36000 brass
<b>Stem</b>	POM or C36000 brass*
<b>Bib &amp; Packing Washers</b>	Nitrile or EPDM rubber
<b>Packing Nut</b>	C36000 brass
<b>Handle</b>	ABS, chrome plated
<b>Handle Screw</b>	Zinc-plated steel
<b>Compression Sleeve</b>	C36000 brass
<b>Compression Nut</b>	C36000 brass

**Compliant**

MATERIAL SPECIFICATIONS	
<b>Valve Body</b>	Compliant brass
<b>Stem</b>	POM or Compliant brass*
<b>Bib &amp; Packing Washers</b>	Nitrile or EPDM rubber
<b>Packing Nut</b>	Compliant brass
<b>Handle</b>	ABS, chrome plated
<b>Handle Screw</b>	Zinc-plated steel
<b>Compression Sleeve</b>	C36000 brass
<b>Compression Nut</b>	C36000 brass

\*Where specified

**Standard Part Listing:**

- R3700R C1 1/2" F.I.P. x 1/2" OD Compression x 1/4" OD Compression (right side), chrome plated, window tray
- R3700R R1 1/2" F.I.P. x 1/2" OD Compression x 1/4" OD Compression (right side), rough brass, window tray
- R3700RZ R1 1/2" F.I.P. x 1/2" OD Compression x 1/4" OD Compression (right side), brass stem, rough brass, window tray
- R3701L C1 1/2" F.I.P. x 1/2" OD Compression x 3/8" OD Compression (left side), chrome plated, window tray
- R3701L R1 1/2" F.I.P. x 1/2" OD Compression x 3/8" OD Compression (left side), rough brass, window tray

*This specification and all information contained herein is the confidential and exclusive property of BrassCraft Manufacturing, and shall not be disclosed to others without the written consent of BrassCraft. This specification must be returned to BrassCraft if requested.*



# R3700/ R3701/ R3702/ R3703 Multi-Turn Dual Outlet Stop – Female Iron Pipe Inlet

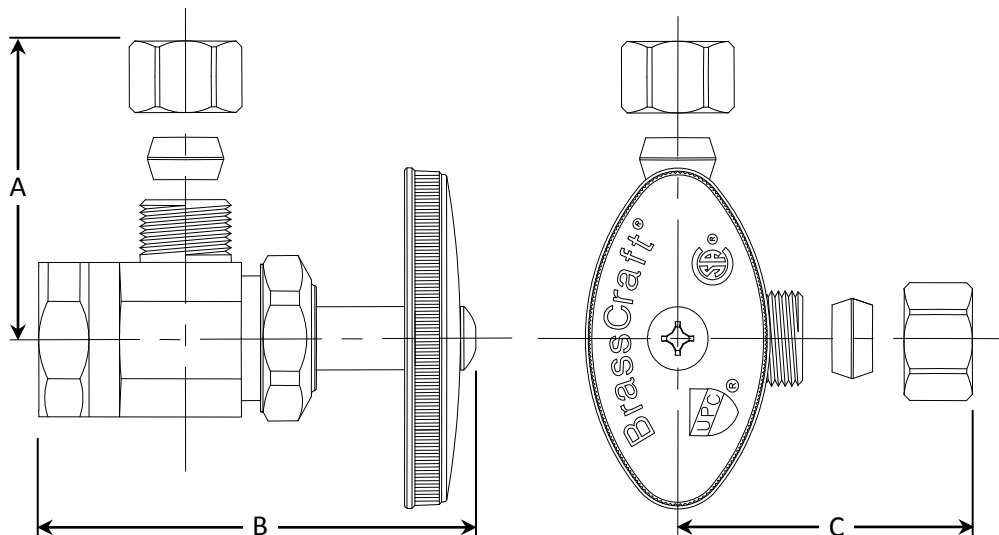
## Standard Part Listing (con't):

- R3701LZ C1 1/2" F.I.P. x 1/2" OD Compression x 3/8" OD Compression (left side), brass stem, chrome plated, window tray
- R3701R CD 1/2" F.I.P. x 1/2" OD Compression x 3/8" OD Compression (right side), chrome plated, carded
- R3701R C1 1/2" F.I.P. x 1/2" OD Compression x 3/8" OD Compression (right side), chrome plated, window tray
- R3701R RD 1/2" F.I.P. x 1/2" OD Compression x 3/8" OD Compression (right side), rough brass, carded
- R3701R R1 1/2" F.I.P. x 1/2" OD Compression x 3/8" OD Compression (right side), rough brass, window tray
- R3701RZ C1 1/2" F.I.P. x 1/2" OD Compression x 3/8" OD Compression (right side) brass stem, chrome plated, window tray
- R3702L R1 1/2" F.I.P. x 1/2" OD Compression x 7/16" OD Compression (left side), rough brass, window tray
- R3702R R1 1/2" F.I.P. x 1/2" OD Compression x 7/16" OD Compression (right side), rough brass, window tray
- R3703LR CD 1/2" F.I.P. x 1/2" OD Compression x 1/2" OD Compression, chrome plated, carded
- R3703LR C1 1/2" F.I.P. x 1/2" OD Compression x 1/2" OD Compression, chrome plated, window tray
- R3703LR RD 1/2" F.I.P. x 1/2" OD Compression x 1/2" OD Compression, rough brass, carded
- R3703LR R1 1/2" F.I.P. x 1/2" OD Compression x 1/2" OD Compression, rough brass, window tray
- R3703LRZ C 1/2" F.I.P. x 1/2" OD Compression x 1/2" OD Compression, brass stem, chrome plated
- R3703LRZ C1 1/2" F.I.P. x 1/2" OD Compression x 1/2" OD Compression, brass stem, chrome plated, window tray
- R3703LRZ R1 1/2" F.I.P. x 1/2" OD Compression x 1/2" OD Compression, brass stem, rough brass, window tray

## Compliant Part Listing:

- R3700RX R1 1/2" F.I.P. x 1/2" OD Compression x 1/4" OD Compression (right side), rough brass, window tray
- R3701RX C1 1/2" F.I.P. x 1/2" OD Compression x 3/8" OD Compression (right side), chrome plated, window tray
- R3701RX RD 1/2" F.I.P. x 1/2" OD Compression x 3/8" OD Compression (right side), window tray
- R3701RX R1 1/2" F.I.P. x 1/2" OD Compression x 3/8" OD Compression (right side), rough brass, window tray

## Right Side Outlet

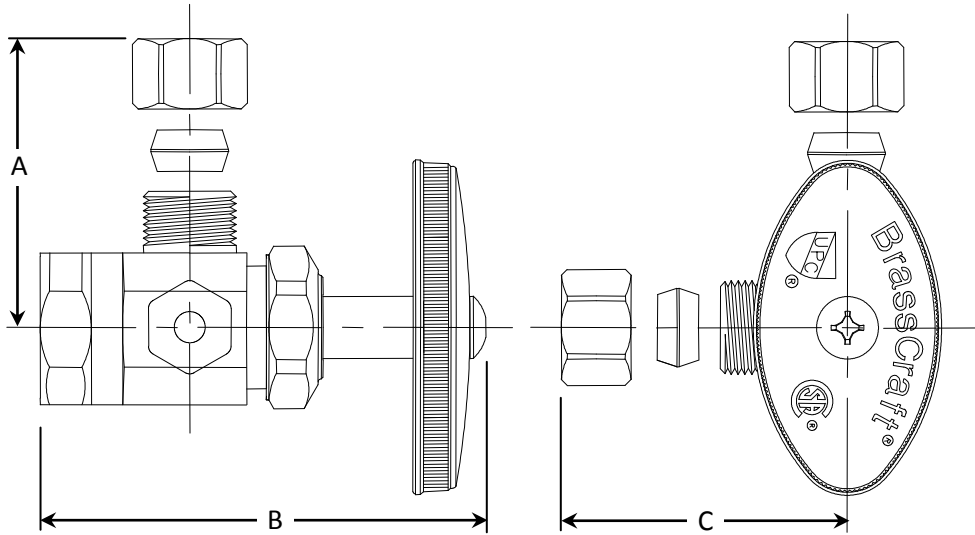


*This specification and all information contained herein is the confidential and exclusive property of BrassCraft Manufacturing, and shall not be disclosed to others without the written consent of BrassCraft. This specification must be returned to BrassCraft if requested.*

**BrassCraft®**

# R3700/ R3701/ R3702/ R3703 Multi-Turn Dual Outlet Stop – Female Iron Pipe Inlet

Left Side Outlet



PART DIMENSIONS (Inches)			
Model	DIM. A	DIM. B	DIM. C
R3700R	1.09	2.49	1.05
R3700RZ	1.09	2.49	1.05
R3701L	1.09	2.49	1.05
R3701LZ	1.09	2.49	1.05
R3701R	1.09	2.49	1.05

PART DIMENSIONS (Inches)			
Model	DIM. A	DIM. B	DIM. C
R3701RZ	1.09	2.49	1.05
R3702L	1.14	2.49	1.09
R3702R	1.14	2.49	1.09
R3703LR	1.19	2.49	1.19
R3703LRZ	1.19	2.49	1.19

### Listings & Certifications:

- IAPMO listed to ASME A112.18.1-05 / CSA B125.1-05 (File # 0645)
- CSA listed to ASME A112.18.1-05 / CSA B125.1-05 (File # 204593)
- Compliant product CSA approved to California Health & Safety Code 116875 and Vermont Bill S.152 (Project # 2174785)



*This specification and all information contained herein is the confidential and exclusive property of BrassCraft Manufacturing, and shall not be disclosed to others without the written consent of BrassCraft. This specification must be returned to BrassCraft if requested.*

**BrassCraft®**